

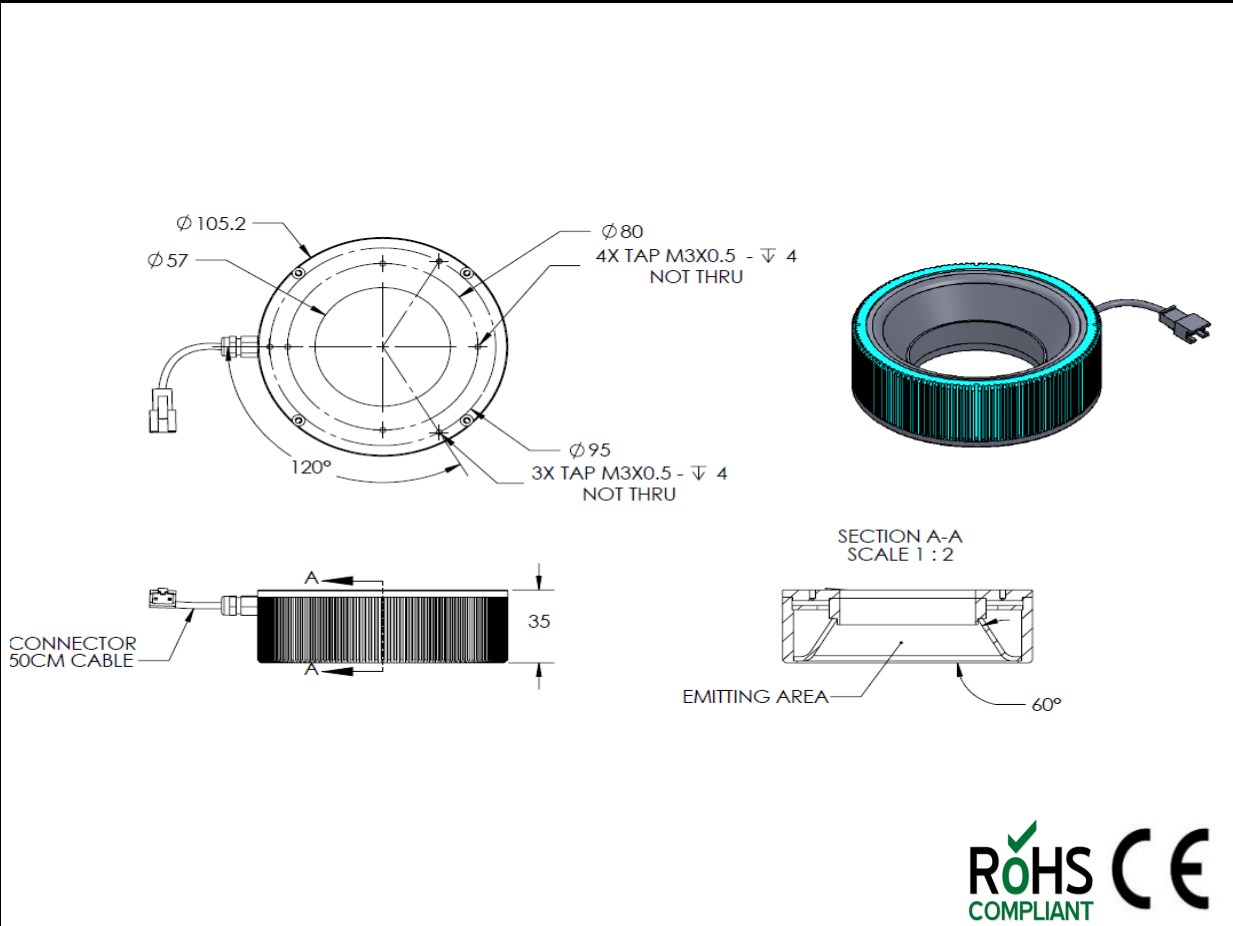


OPTO ENGINEERING

ILLUMINATOR DATA

LT3RZF100-60-1-W-24V

Lighting Dimension



Mechanical Information

Casing Material	Aluminium
Storage Temperature Range	0 - 45°C
Storage Humidity Range	20 - 85%
Weight	205 g
Length / Outer Diameter	105.2 mm
Width / Inner Diameter	57 mm
Thickness / Height	35 mm



OPTO ENGINEERING

ILLUMINATOR DATA

LT3RZF100-60-1-W-24V

Lighting Information																													
Part Number	LT3RZF100-60-1-W-24V																												
LED Color	WHITE																												
Wavelength	REFER TO CHROMACITY TABLE																												
Working Distance	5 mm	10 mm	19 mm																										
Intensity (±15%)	19227 lx	21556 lx	22337 lx																										
Illumination (number of row)	1																												
Illumination Active Area	Active Length / Outer Dia.		93.2 mm																										
	Active Width / Inner Dia.		59 mm																										
Emission angle	60																												
Eye Safety Class (IEC62471)	EXEMPT																												
Chromaticity Table	<table border="1"><tbody><tr><td>X</td><td>0.296</td><td>0.287</td><td>0.307</td><td>0.311</td><td>X</td><td>0.311</td><td>0.307</td><td>0.33</td><td>0.33</td></tr><tr><td>Y</td><td>0.276</td><td>0.295</td><td>0.315</td><td>0.294</td><td>Y</td><td>0.294</td><td>0.315</td><td>0.339</td><td>0.318</td></tr></tbody></table>									X	0.296	0.287	0.307	0.311	X	0.311	0.307	0.33	0.33	Y	0.276	0.295	0.315	0.294	Y	0.294	0.315	0.339	0.318
X	0.296	0.287	0.307	0.311	X	0.311	0.307	0.33	0.33																				
Y	0.276	0.295	0.315	0.294	Y	0.294	0.315	0.339	0.318																				
For White colour only																													

Electrical Information	
Rated Constant Voltage	24V±2%
Rated Constant Current	270 mA
Power Consumption	6.48 W
Casing temperature, After 60 minutes operation	53 °C

Strobe Mode Specification	
*Normal Strobe Voltage	24 V
*Normal Strobe Current	270 mA
Overdrive Voltage Range	Min: 36V Max: 48V
Overdrive Current Range	Min: 0.62 A Max: 1 A
Recommended Overdrive Voltage	36V
**Max. Trigger Pulse Duration	10 msec
**Max. Duty Cycle	10%

*Normal strobe means the lighting is operated using the rated power. Overdrive means the power supplied to the lighting exceeded the rated power.


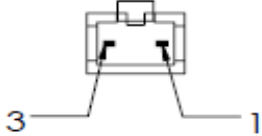
**Overdrive condition must not exceed the max. trigger pulse duration and max. duty cycle.



OPTO ENGINEERING

ILLUMINATOR DATA

LT3RZF100-60-1-W-24V

Connection Information			
Connector Type (Default)	JST SMR-03V		
Cable Length	50 cm		
Pin Configuration 	Pin	Signal	Cable Colour
	1	LED +	Red
	2	N.C	-
	3	LED -	White
			

Additional Information	
Additional Cooling Method	Attached to machine part for better heat dissipation
Intensity Controller Selection	SD, ST, ANG, LC, SDA, SDP series
CE Conformity	YES
RoHS Compliance	YES

Application	
Illumination Type	Diffused Illumination
Application Use	Character Recognition on Shining Surface, Lead Inspection.



OPTO ENGINEERING

ILLUMINATOR DATA

LT3RZF100-60-1-W-24V

Lighting Pattern				
Working Distance	For further details please contact us.			
Display and Image				
Data Results	Horizontal	Meas.(mm)	Vertical	Meas.(mm)
	90%		90%	
	80%		80%	
	70%		70%	
	60%		60%	
	50%		50%	
	40%		40%	
	30%		30%	
	20%		20%	
	10%		10%	